



BSM - BST

AC INDUSTRIAL AXIAL FANS

Directly coupled motor. (single phase–three phase) 6 blades with concave blade system. Suitable for mounting on wall and window.

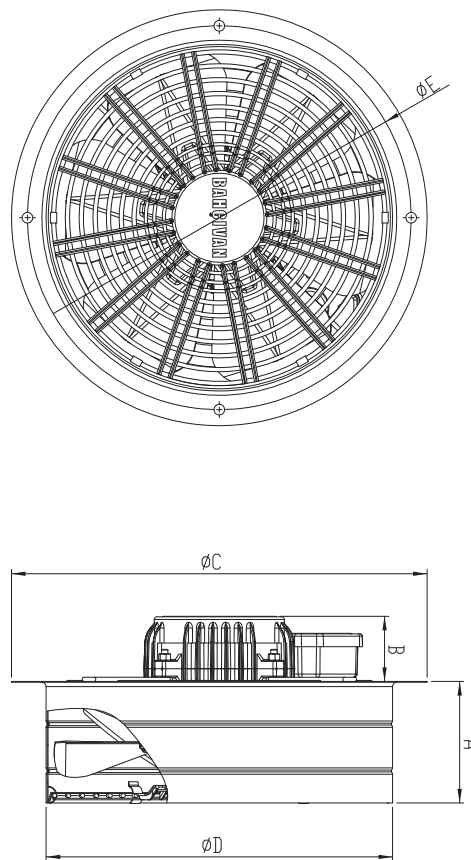
BSMS - BSTS

AC WALL MOUNTED AXIAL FANS

Directly coupled motor. (single phase–three phase) 6 blades with concave blade system. Suitable for mounting on wall and window. Easy installation due to it's square plate.



Technical Drawing



- MATERIAL** : Housing is made of electrostatic powder coated sheet metal, impeller is made of sheet metal with concave blade system
- INSULATION CLASS** : Class B
- DIRECTIVE** : EN 60335-1, EN 60335-2-80
- SPEED CONTROL** : Speed can be adjusted using an optional controller.
- APPLICATION AREAS** : Factories, depots, dyehouses, shopping centers, workshops(plants) etc.

TYPE	VOLTAGE	FREQUENCY	POWER	SPEED	AIR FLOW	SOUND PRESSURE LEVEL	WEIGHT
	V	Hz	W	rpm	m ³ /h	dB(A)	kg
BSM 250-2K / BST 250-2K	230/380	50	190	2900	2200	65	7.4
BSM 250 / BST 250	230/380	50	160	1465	1200	52	7.4
BSM 300 / BST 300	230/380	50	210	1400	2000	54	8
BSM 350 / BST 350	230/380	50	200	1400	3250	58	8.2
BSM 400 / BST 400	230/380	50	210	1420	4500	59	8.8
BSM 450 / BST 450	230/380	50	230	1385	5000	60	10
BSM 500 / BST 500	230/380	50	260	1335	5500	62	11
BSM 550 / BST 550	230/380	50	230	1350	6000	63	14.6
BSM 600 / BST 600	230/380	50	250	1370	8000	65	15.6

TYPE	A	B	C	D	E
BSM 250-2K / BST 250-2K	114	61	304	251	277
BSM 250 / BST 250	114	61	304	251	277
BSM 300 / BST 300	114	61	390	325	360
BSM 350 / BST 350	114	61	435	374	405
BSM 400 / BST 400	114	61	485	427	455
BSM 450 / BST 450	114	61	546	470	516
BSM 500 / BST 500	125	61	590	518	560
BSM 550 / BST 550	130	160	624	560	595
BSM 600 / BST 600	130	160	674	610	645

Dimensions are in (mm)

- MATERIAL** : Housing is made of electrostatic powder coated sheet metal as square shaped, impeller is made of sheet metal with concave blade system.
- INSULATION CLASS** : Class B
- DIRECTIVE** : EN 60335-1, EN 60335-2-80
- SPEED CONTROL** : Speed can be adjusted using an optional controller.
- APPLICATION AREAS** : Factories, depots, dyehouses, shopping centers, workshops(plants) etc.

TYPE	VOLTAGE	FREQUENCY	POWER	SPEED	AIR FLOW	SOUND PRESSURE LEVEL	WEIGHT
	V	Hz	W	rpm	m ³ /h	dB(A)	kg
BSMS 250-2K / BSTS 250-2K	230	50	190	2900	2200	65	7.4
BSMS 250 / BSTS 250	230	50	160	1465	1200	52	7.4
BSMS 300 / BSTS 300	230	50	210	1400	2000	54	8
BSMS 350 / BSTS 350	230	50	200	1400	3250	58	8.2
BSMS 400 / BSTS 400	230	50	210	1420	4500	59	8.8
BSMS 450 / BSTS 450	230	50	230	1385	5000	60	10
BSMS 500 / BSTS 500	230	50	260	1335	5500	62	11
BSMS 550 / BSTS 550	230	50	230	1350	6000	63	14.6
BSMS 600 / BSTS 600	230	50	250	1370	8000	65	15.6

TYPE	A	B	C	D	E	F	G
BSMS 250-2K / BSTS 250-2K	333	275	80	261	80	8.25	10
BSMS 250 / BSTS 250	333	275	80	261	80	8.25	10
BSMS 300 / BSTS 300	333	275	80	261	80	8.25	10
BSMS 350 / BSTS 350	412	336	80	307	80	8.25	10
BSMS 400 / BSTS 400	465	390	90	365	80	8.25	10
BSMS 450 / BSTS 450	500	420	100	403	80	8.25	10
BSMS 500 / BSTS 500	560	480	105	462	80	8.25	10
BSMS 550 / BSTS 550	630	561	110	513	90	8.25	10
BSMS 600 / BSTS 600	700	631	125	563	90	8.25	10

Dimensions are in (mm)

Technical Drawing

